



# BRAKE ACTUATORS

## TECHNICAL INFORMATION

✓ **ATA RECOGNISED**

**PART # GP-3030**

**PART # GP-2430**



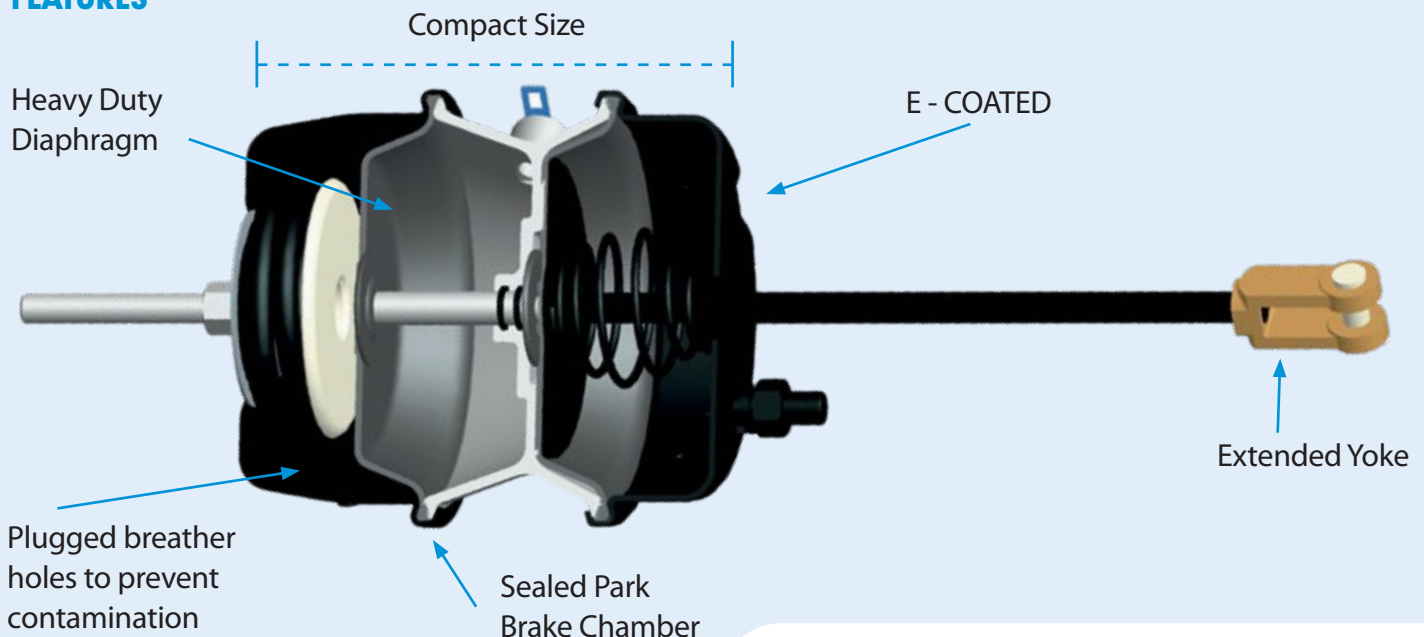
### TECHNICAL INFORMATION:

- Tested to meet **SAE J2318** performance requirements
- Testing procedure carried out to **SAE J1469**
- **BISITECNIS** brake actuator characterisation report supported
- Tested to 1,500,000 cycles
- Vibration tested to 32 g-force.
- Corrosion resistance:- internal & external components "**E-COATED**"
- Heavy duty spring & diaphragm.
- Extended yoke
- Plugged breather holes to prevent contamination.
- Permanently sealed park brake chamber
- Compact to suit **BPW** suspensions
- **Recognised by the Australian Trucking Association.**



**EUROPEAN  
DESIGNED AND  
ENGINEERED**

### FEATURES



**GP TRUCK PRODUCTS**

Victoria, Australia

Phone +61 3 95801811

E-mail sales@gptruckproducts.com.au

www.gptruckproducts.com.au

