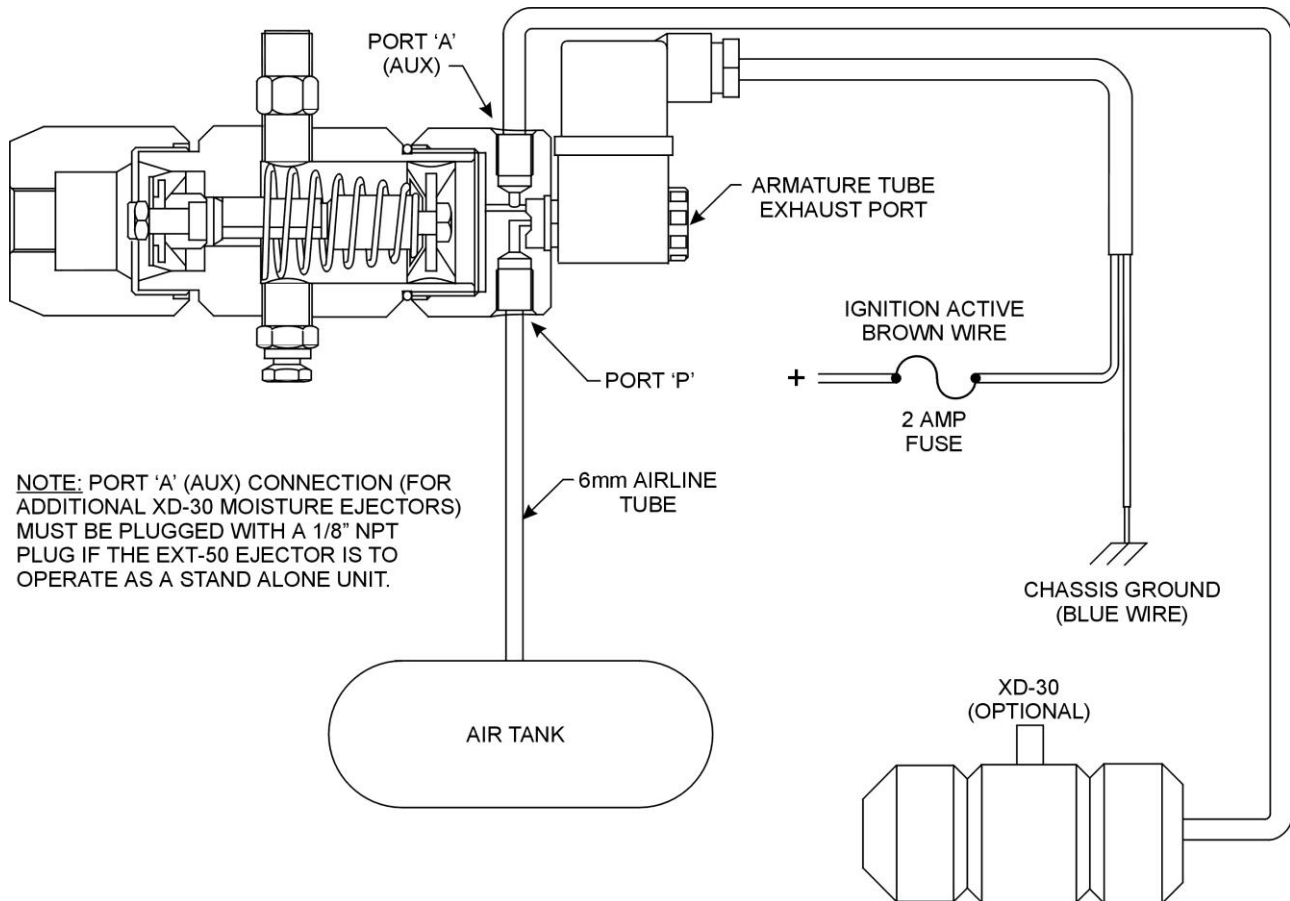


## DumpMaster Drain Valve EXT-50-12/24V Installation



1. Connect a **constant** supply of air pressure to the **"P" Port** of the DumpMaster Drain Valve. If pressure for the "P" Port is to be taken from the same tank that the drain valve is draining, a non-return valve must be fitted to the tank and constant supply airline.
2. Connect the **Brown** wire (+) to **Ignition** power only.
3. Connect the **Blue** wire (-) to the chassis.
4. **NOTE!** The valve will actuate every six minutes when **ignition** power is on & the **engine** is running.



General Pneumatics Pty Ltd trading as GP Truck Products  
 29 Hinkler Rd, Mordialloc, Vic, 3195  
 Ph: 03 9580 1811 Fax: 03 9580 1822  
[www.gptruckproducts.com.au](http://www.gptruckproducts.com.au)  
[sales@gptruckproducts.com.au](mailto:sales@gptruckproducts.com.au)

